

## Exposed Bandraster system - System I

### Key features

- Suitable for exposed and semi-concealed installations
- Parallel and two-way installations possible (Tartan layout)
- Optional punches in the Bandraster profiles enable quick and easy connection with DONN® DX
- Enables easy installation of lightweight, removable partitions

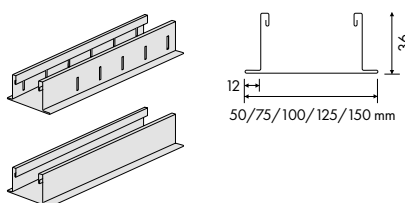
### Application areas

- Open plan offices / Individual offices

### Physical data

- Material: galvanised steel
- Surface finish: baked polyester paint
- Colour: all products standard in DONN® White

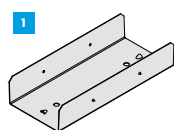
## ■ DONN® DP Bandraster | Profile



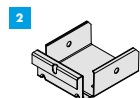
Item reference	Dimensions (mm)				Content/carton		Weight/carton kg	Cartons/pallet
	Length	Width	Height	Slot centres	pcs	lm		
<b>DP 50 unslotted</b>								
DP50-360W	3600	50	36	-	8	28.80	24.00	28
DP50-420W	4200	50	36	-	4	16.80	14.00	56
<b>DP 75 unslotted</b>								
DP75-360W	3600	75	36	-	8	28.80	27.70	20
DP75-420W	4200	75	36	-	4	16.80	16.20	40
<b>DP 100 unslotted</b>								
DP100-360W	3600	100	36	-	8	28.80	31.40	16
DP100-420W	4200	100	36	-	4	16.80	18.30	32
DP100-600W	6000	100	36	-	4	24.00	26.10	32
<b>DP 100 slotted</b>								
DP100-360PW	3600	100	36	300	8	28.80	31.40	16
DP100-375PW	3750	100	36	312.5	8	30.00	32.60	16
<b>DP 125 unslotted</b>								
DP125-360W	3600	125	36	-	8	28.80	38.30	12
DP125-420W	4200	125	36	-	4	16.80	22.30	24
DP125-600W	6000	125	36	-	4	24.00	31.90	24
<b>DP 150 unslotted</b>								
DP150-360W	3600	150	36	-	4	14.40	21.20	20
DP150-420W	4200	150	36	-	4	16.80	24.70	20
DP150-600W	6000	150	36	-	4	24.00	35.30	20

Special colours on request.

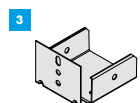
## ■ DONN® DP Bandraster | Accessories



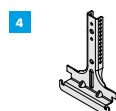
1



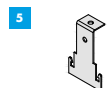
2



3



4

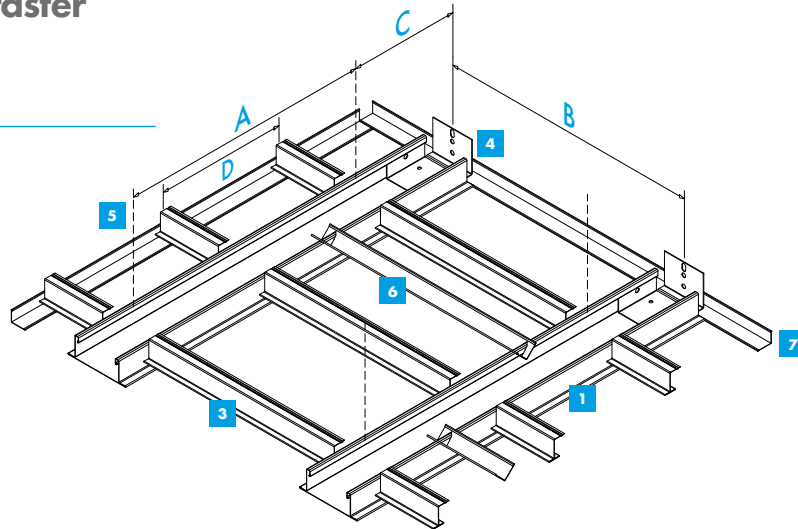


5

No.	Item reference	Dimensions (mm)		Content/carton pcs	Weight/carton kg	Description
		Length				
<b>DP 50</b>						
1	P11 DP50	-		100	8.00	BR Splice for BR-DP50
2	P811 DP50	-		100	5.80	BR Cross Connector for BR-DP50
3	P311 DP50	-		100	5.80	BR Wall Connector for BR-DP50
4	P12 DP50	200		100	5.80	Nonius Bottom for BR-DP50
5	SR12 DP50	-		50	1.20	Strip/Rod connector for BR-DP50
<b>DP 75</b>						
1	P21 DP75	-		100	8.30	BR Splice for BR-DP75
2	P812 DP75	-		100	8.10	BR Cross Connector for BR-DP75
3	P312 DP75	-		100	8.10	BR Wall Connector for BR-DP75
4	P14 DP75	150		100	8.10	Nonius Bottom for BR-DP75
5	SR14 DP75	-		50	1.50	Strip/Rod connector for BR-DP75
<b>DP 100</b>						
1	P31 DP100	-		100	14.00	BR Splice for BR-DP100
2	P813 DP100	-		100	11.00	BR Cross Connector for BR-DP100
3	P313 DP100	-		100	11.00	BR Wall Connector for BR-DP100
4	P18 DP100	150		100	11.00	Nonius Bottom for BR-DP100
5	SR18 DP100	-		50	1.80	Strip/Rod connector for BR-DP100
<b>DP 125</b>						
1	P41 DP125	-		100	17.00	BR Splice for BR-DP125
2	P814 DP125	-		100	12.50	BR Cross Connector for BR-DP125
3	P314 DP125	-		100	12.50	BR Wall Connector for BR-DP125
4	P22 DP125	150		100	12.50	Nonius Bottom for BR-DP125
<b>DP 150</b>						
1	P51 DP150	-		100	19.50	BR Splice for BR-DP150
2	P851 DP150	-		50	7.50	BR Cross Connector for BR-DP150
3	P315 DP150	-		50	7.50	BR Wall Connector for BR-DP150
4	P24 DP150	150		100	15.00	Nonius Bottom for BR-DP150

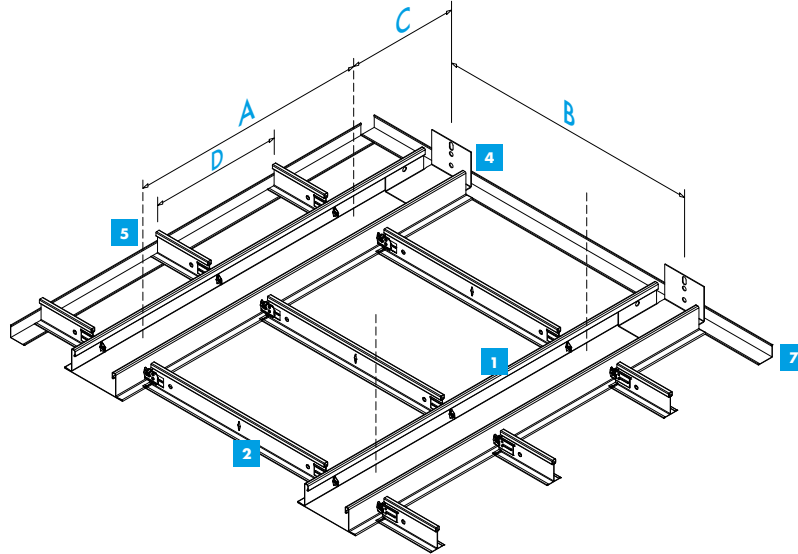
System Drawing - System I

System I2



Ref.	Distance (mm)
A	max. 1200
B	max. 2500
C	max. 600
D	300

System I3



Ref.	Distance (mm)
A	max. 1200
B	max. 2500
C	max. 600
D	300

■ Material required for DP100 grid structure (per m<sup>2</sup> ceiling area)<sup>1)</sup>

No.	Description	Item reference	Module 1800 x 300
1	Main Runner	DP100-60	0.56 m
2	Cross Tee	DX24	3.18 m
3	Z-Profile	DCZ30 1800	3.18 m
4	Wall connector	P313	ca. 0.18 pieces
5	Hanger	P18	0.70 pieces
6	Spacer bar	DMK	0.53 m
7	Perimeter trim	-	Dependent on the room dimensions (approx. 0.6 lm/m <sup>2</sup> )

<sup>1)</sup> All figures are approximate without allowing for waste.

<b>Fire reaction</b>	Euroclass <b>A1</b> as per EN 13501-1	<b>RUS KMO (NG) / KM1 (G1, V1, D1, T1)</b> as per 123-FZ
<b>Indoor air quality</b>	A+ ISO 3	
<b>Cleanability</b>		
<b>Sustainability</b>	25%	
<b>Design options</b>		

All measurements in millimetres. All sizes are nominal.